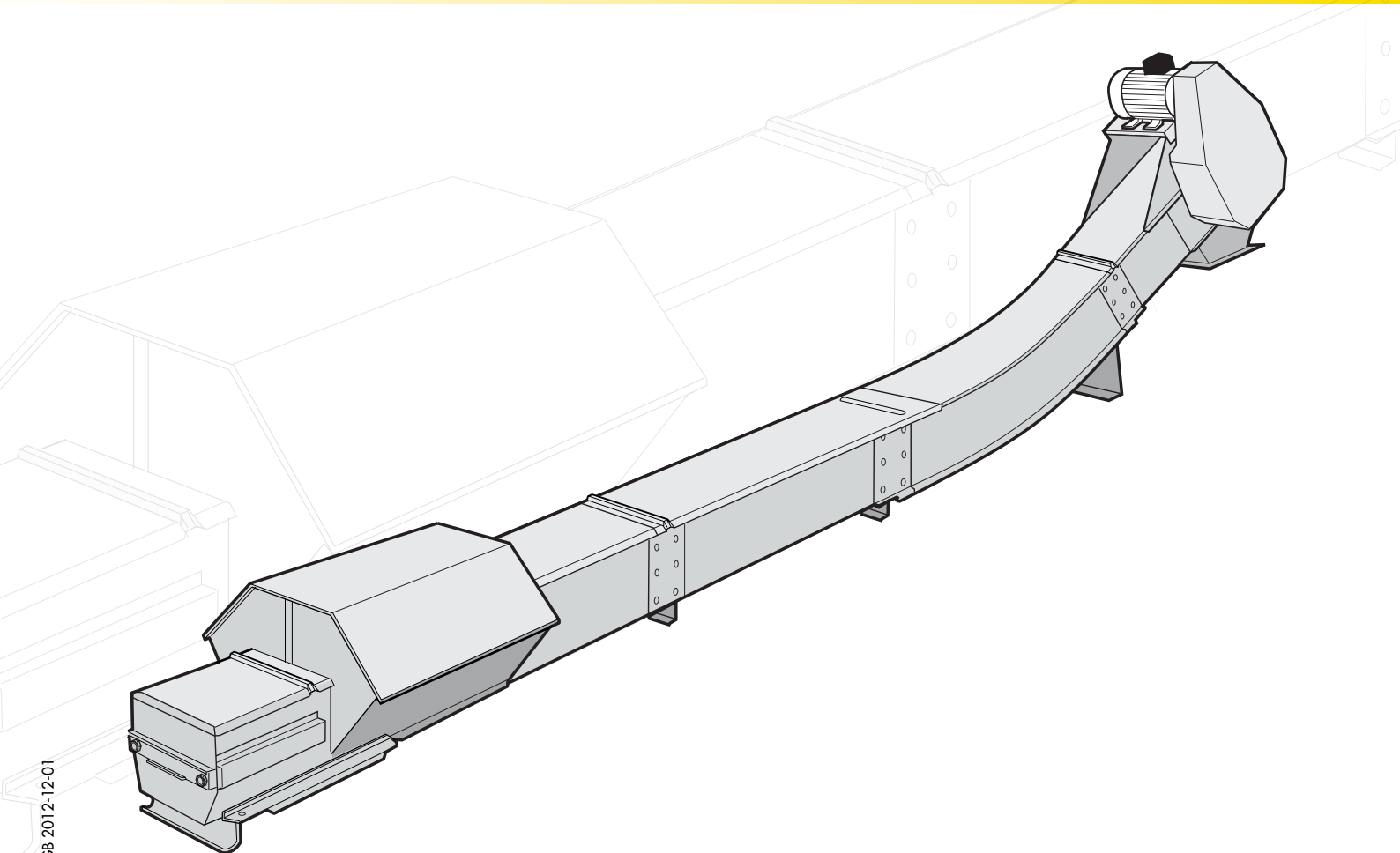




KTBU



Goods inspection

Check that the number of packages agrees with the delivery note and that the packing and goods are not damaged. Make a note of any damage and missing materials on the consignment note and report it to the carrier and to us. Make sure the delivery is complete after unpacking the goods. Any materials that are found to be incorrect must not be assembled.

Warranty

A 2-year factory warranty from the day of delivery applies to all models of Skandia Elevator AB machinery. A condition of the warranty and any subsequent compensation is that Skandia Elevator AB is contacted and an agreement reached between the customer and Skandia Elevator AB on how any faults should be rectified. The warranty covers all parts that are damaged or break due to faulty design or manufacture. Faults and damage caused by faulty assembly, incorrect use or lack of maintenance will not be covered by the warranty.

CE mark

A CE mark is located on the transmission side of the drive and is proof that the machine has been manufactured in accordance with EU machine directives and complies with safety requirements. The CE mark contains information concerning year of manufacture, model designation and order number. Always specify the order number in the event of a claim and on orders for spare parts.

EC Declaration

Skandia Elevator AB
Arentorp
S-53494 Vara
SWEDEN

declare under our sole responsibility that the product:

KTBU

order number:

.....
to which this declaration relates is in conformity with Council Directive of 29 December 2009 on the harmonisation of the member States relating to machinery, 2006/42/EC.

Unless otherwise specified on the CE mark, the product is manufactured in accordance with EU Machinery Directive and is classified as Category II 2D/0D. It is intended for the transport of materials that correspond with ATEX Zone 22 and the external environment is unclassified.

Vara 29/12 2009

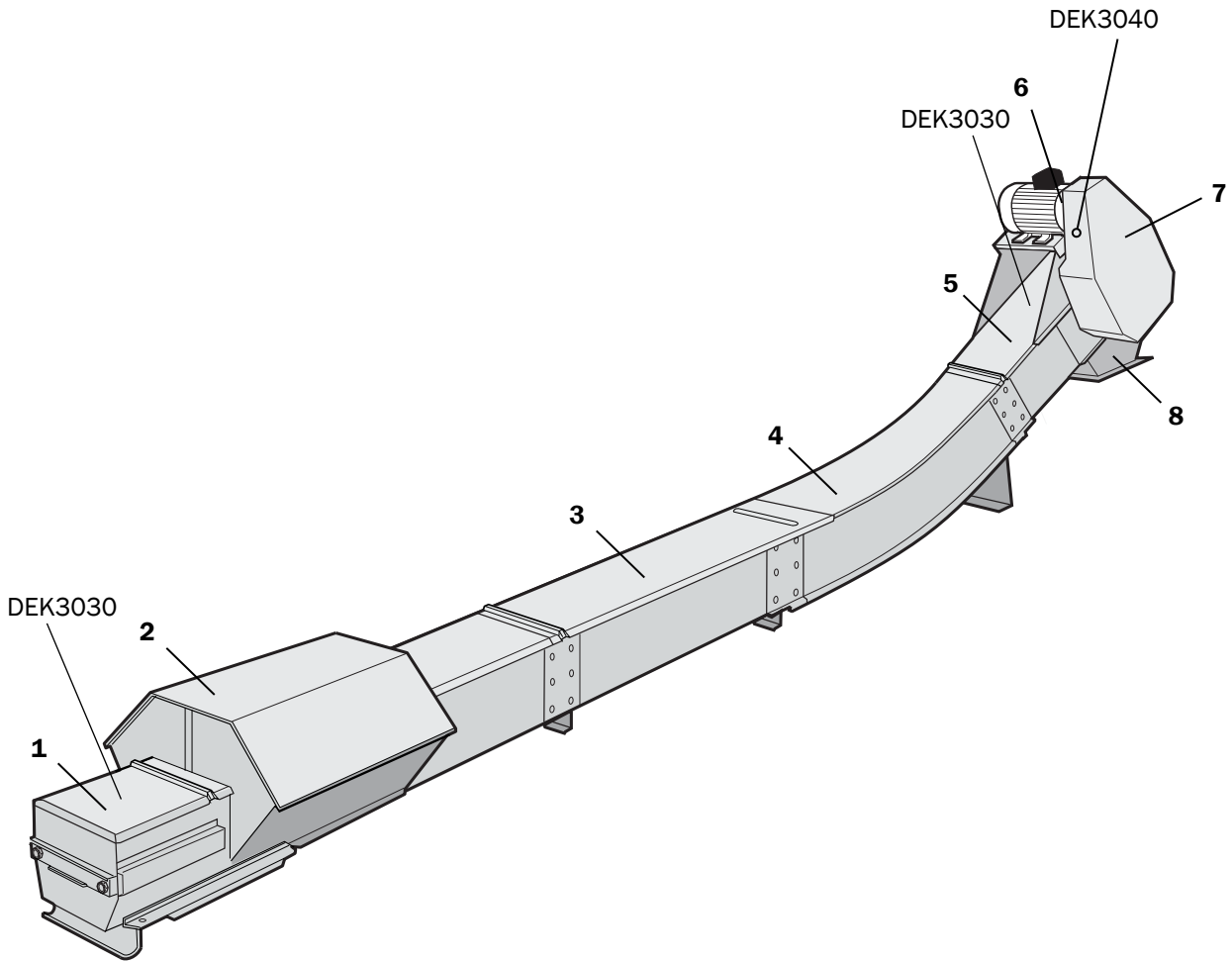
Joakim Larsson, CEO

Thank you for choosing Skandia Elevator!

Your conveyor system must be assembled correctly and maintained thoroughly if it is to operate satisfactorily. These assembly instructions and the separate maintenance instructions must be followed for the warranty to apply.

We hope you will be pleased with your Skandia conveyor equipment for a long time.

Machine overview	6
Safety information	7
General safety information	7
Electrical safety	8
Safety decals	9
Before assembly	11
Construction dimensions for inclined conveyors	13
Connection of the machine	14
Side inlet	14
Connection between side inlet and silo/storage bin	15
Connection to subsequent machine	15
Assembling the machine	17
Assembling the motor	24



Parts	Pos.
Tail end	1
Side inlet	2
Intermediate section	3
Bend section	4
Drive	5
Motor	6
Transmission with guard	7
Outlet	8
Safety decals	DEK XXXX

The owner of the transport equipment is responsible for these assembly instructions always being available to the fitters, electricians, maintenance technicians and engineering technicians concerned.

Incorrect assembly and/or operation may lead to personal injury or damage to the conveyor equipment and/or other equipment. It can also cause malfunctions or a reduction in capacity.

Read the assembly instructions carefully before assembly, electrical connection, maintenance or operation commences. If any part of these instructions should be difficult to comprehend, please get in touch with your reseller for assistance.

The safety information is presented and interpreted as follows:

⚠ WARNING!

Disregarding instructions given in warnings can cause serious personal injury or death.

⚠ IMPORTANT!

Ignoring the instructions given in important texts may cause damage to the conveyor equipment and/or other equipment. It can also cause malfunctions or a reduction in capacity.

NB! indicates that the text contains information that will simplify the assembly process.

General

⚠ WARNING!

- Ensure that everyone responsible for assembly, electrical connection, maintenance and operation of the conveyor equipment has read and understood the instructions and safety information.
- Use protective gloves, helmet, steel-toed boots, ear defenders, protective goggles and high-vis vest when carrying out assembly, electrical connection, maintenance and operation of conveyor equipment.



WARNING!

- Stop the machinery and turn off electric power before attempting any type of assembly, electrical connection or maintenance work.
- Do not start the machinery without the lid, hatches, covers, guards and connections fitted in such a way they can only be opened with tools.
- Connections to, from and between machinery must be permanently mounted and fully enclosed. If the design of the installation does not allow this at an outlet, finish off with a 1 m pipe.

IMPORTANT!

- If the machine is being assembled outdoors, the motors and transmissions must be fitted with a weather cover.
- Ensure the safety switch for the pop-up overloading flap is engaged during operation.
- If a short circuit should occur, ensure that the electrical equipment is in working order before continuing operation.
- Ensure that the electrical equipment is kept free from dirt, dust, moisture and electrostatic charge.
- The machine is not designed to stand or walk on.

Electrical connection

Incorrect electrical connection may lead to personal injury or damage to the conveyor equipment and/or other equipment. It can also cause malfunctions or a reduction in capacity.

WARNING!

- All electrical equipment is to be connected by a qualified electrician. See separate connecting directions for electronics.
- The power switch must be permanently mounted and located to allow easy access when carrying out maintenance work.
- Ensure the safety switch for the inspection cover (optional accessory) is engaged during operation.

IMPORTANT!

- Ensure the motor protection is set to the correct ampere setting for the motor.
- Ensure the chain switch (optional accessory) is engaged during operation.

Maintenance

Inadequate maintenance may lead to personal injury or damage to the conveyor equipment and/or other equipment. It can also cause malfunctions or a reduction in capacity.

WARNING!

Read the separate maintenance instructions before taking the machine into service.

Safety decals

WARNING!

The machine is supplied with safety decals on delivery. They must not be removed or defaced. If a safety decal becomes damaged, you can order a new one free of charge from Skandia Elevator AB. Specify the part number of the decal. See the section below and the previous chapter Machine Overview.

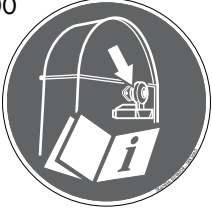

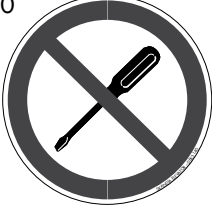
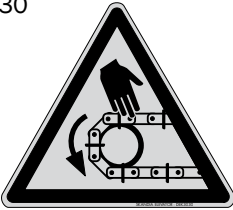

There are safety decals for:







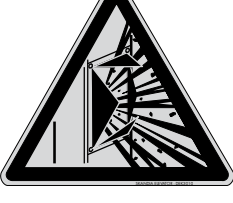

- Mandatory (white symbol on round blue background).
- Forbidden (black strike-through symbol on round white background with red surround).
- Warning (black symbol on triangular yellow background with black surround).

WARNING!

The mandatory instruction, forbiddance or warning given on all safety decals must be considered or serious injury or death may follow.

Skandia Elevator machines have the following safety decals:

Part number/Safety decal Refer to the "Machine Overview" chapter for placement.	Written definition
DEK3090 	Read the "Back stop" section in the elevator's assembly instructions before test starting the motor for the first time.
DEK3100 	Do not place the valve with the motor side face down.
DEK3140 	Changing settings and equipment is prohibited.
DEK3030 	Warning for conveyor chain!
DEK3060 	Warning for bucket belt!

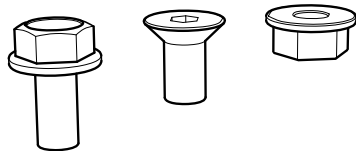
<p>DEK3040</p> 	<p>Warning for chain drive!</p>
<p>DEK3050</p> 	<p>Warning for belt drive!</p>
<p>DEK3070</p> 	<p>Warning for rotating conveyor drive shaft!</p>
<p>DEK3080</p> 	<p>Warning for rotating elevator drive shaft!</p>
<p>DEK3110</p> 	<p>Warning for moving machinery!</p>
<p>DEK3120</p> 	<p>Warning for moving machinery!</p>
<p>DEK3010</p> 	<p>Warning for dust explosion!</p>
<p>DEK3130</p> 	<p>Warning, a maximum of 2 people = 200 kg/440 lbs may be on the platform and ladders simultaneously!</p>

The conveyor can be assembled directly in place in the installation or separately and then lifted in place. The design and space requirements of the installation and the length of the conveyor will determine which method is most suitable.

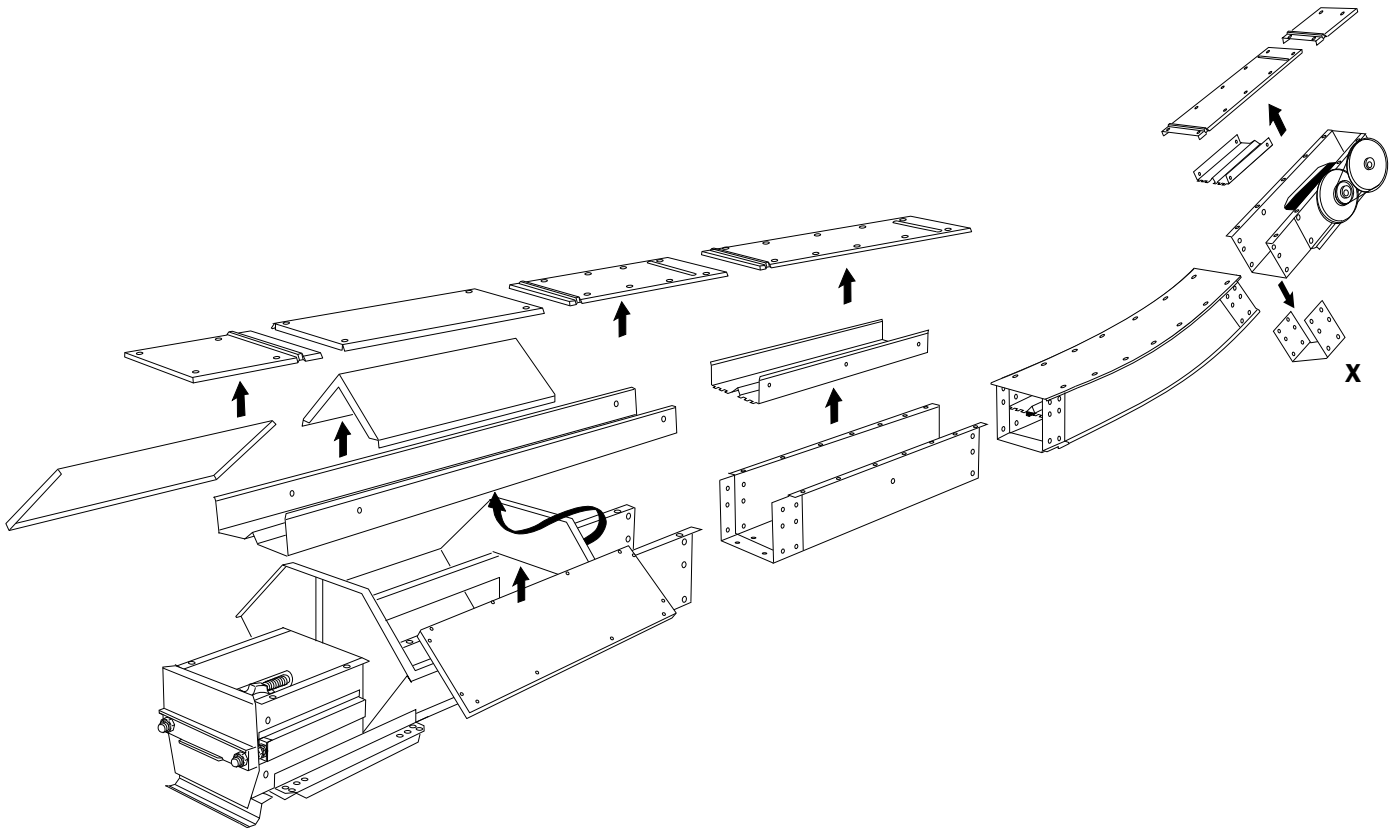
⚠ IMPORTANT!

- The conveyor length must not exceed 14 metres if being lifted after assembly. Its weight must be distributed over several lifting points with one supporting the support frame of the drive. The distance between the lifting points must be a maximum of 12 metres.
- The maximum span between supports for a standard conveyor is 6 metres. This distance is 12 metres if cable supports are used.
- Relieve the weight of the drive with braces to the ground and/or a nearby stable construction. If the machine has a geared motor, brace its support frame. Never use the motor/geared motor to brace on.

bolts for assembling the conveyor are in the bag fastened to each machine part.



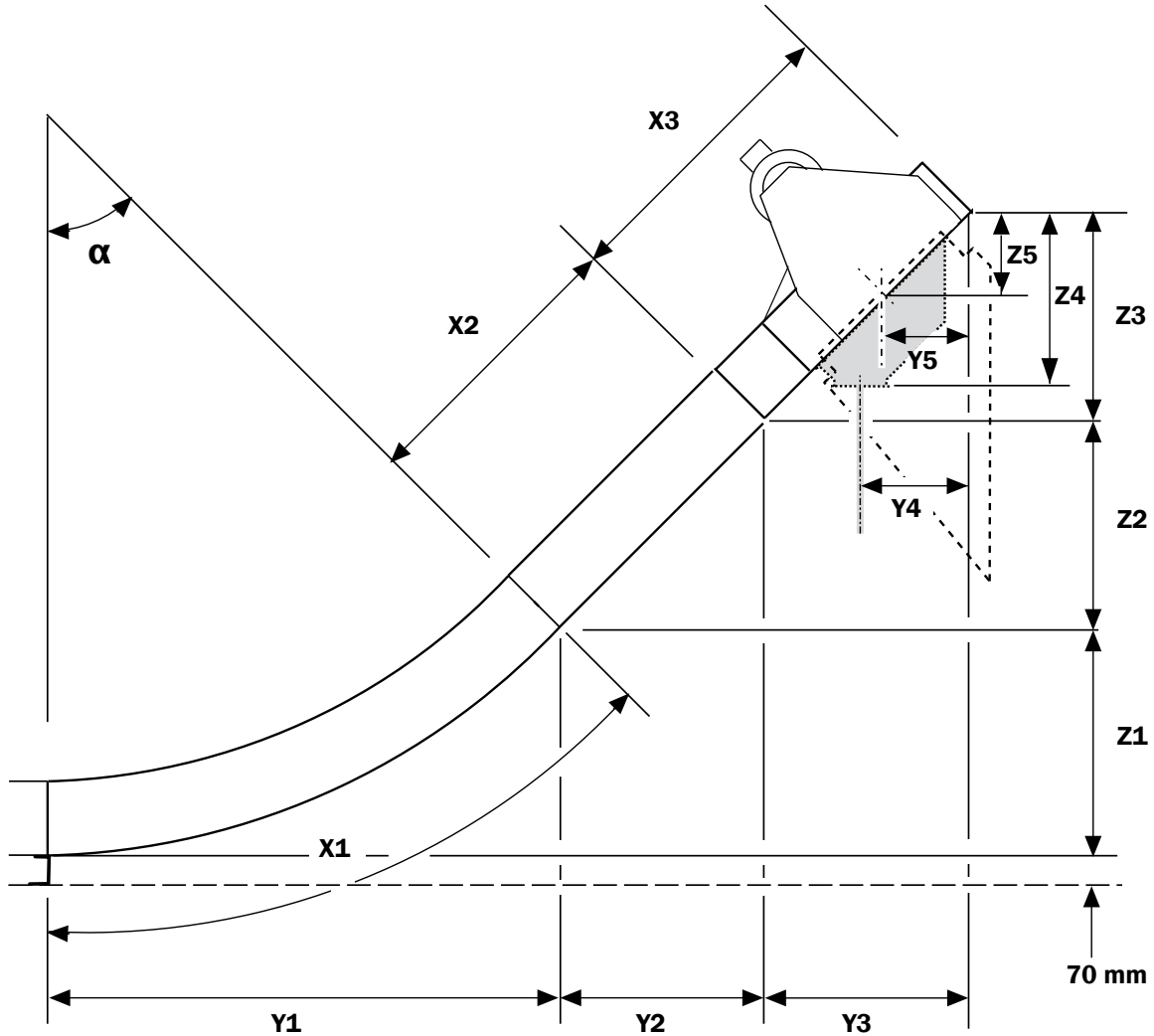
1.
Lay out the machine parts in the order they are to be assembled.
2.
Remove the lid plates and the intermediate trays.
3.
Remove the joining plates (X) as illustrated.



Construction dimensions for bend and incline sections

⚠ IMPORTANT!

Ensure the machine is situated correctly in relation to the planned connections.



α	X1	Y1	Z1	X2	Y2	Z2	X3	Y3	Z3	Y4	Z4	Y5	Z5
15°	645	647	85	600	580	155	1000	966	259	429	364	405	109
				1000	966	259							
				1400	1352	362							
				2000	1932	518							
				13600	13136	3520							
30°	1309	1250	335	600	520	300	1000	866	500	454	440	363	210
				1000	866	500							
				1400	1212	700							
				2000	1732	1000							
				7000	6062	3500							
45°	1963	1768	732	600	424	424	1000	707	707	355	575	297	297
				1000	707	707							
				1400	990	990							
				2000	1414	1414							
				5000	3535	3535							

WARNING!

- Connections to, from and between machinery must be permanently mounted and fully enclosed. If the design of the installation does not allow this at an outlet, finish off with a 1 m pipe.
- Unused inlets are to be sealed.

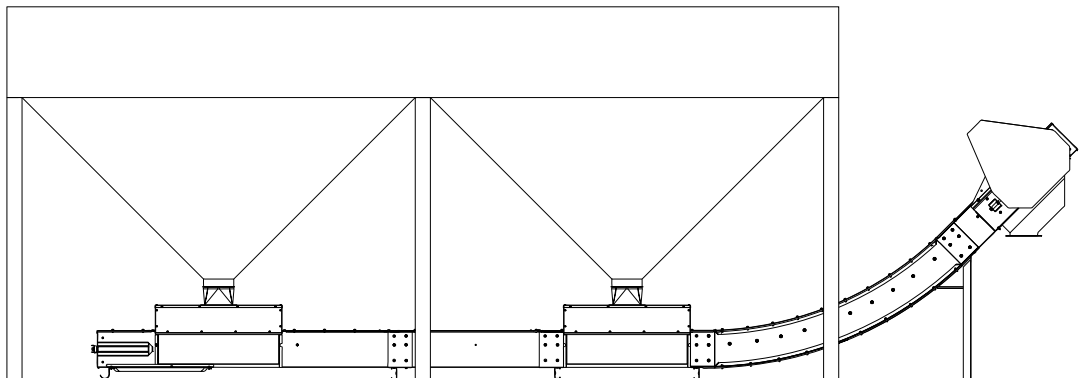
IMPORTANT!

- Use only recommended inlet, outlet and connecting components.
- Ensure the ducting is dimensioned sufficiently and that its angle of inclination is at least 45°.

Assemble the inlet/outlet as instructed in the section "Assemble the machine".

Side inlet

Side inlets are self-regulating and used for feeding from a silo/storage bin.



Connection between side inlet and silo/storage bin

IMPORTANT!

- Centre the connection hole on the lid plate of the side inlet if possible.
- Connecting/feeding via one of the inclined lids on the side inlet can result in loss of capacity.

Assemble the connection components as described in the section "Assemble the machine".

Connection to subsequent machine

Connect the conveyor to the subsequent machine according to its assembly instructions.

1. Assemble the conveyor from the bend and outwards.

⚠ IMPORTANT!

Ensure the machine parts are assembled in a straight line and are not twisted.

2. Fit the bottom bolts.

NB! Assemble support legs (A) and attachment for support leg (B) at the same time as the bottom plates.

3. Fit the support leg (C).

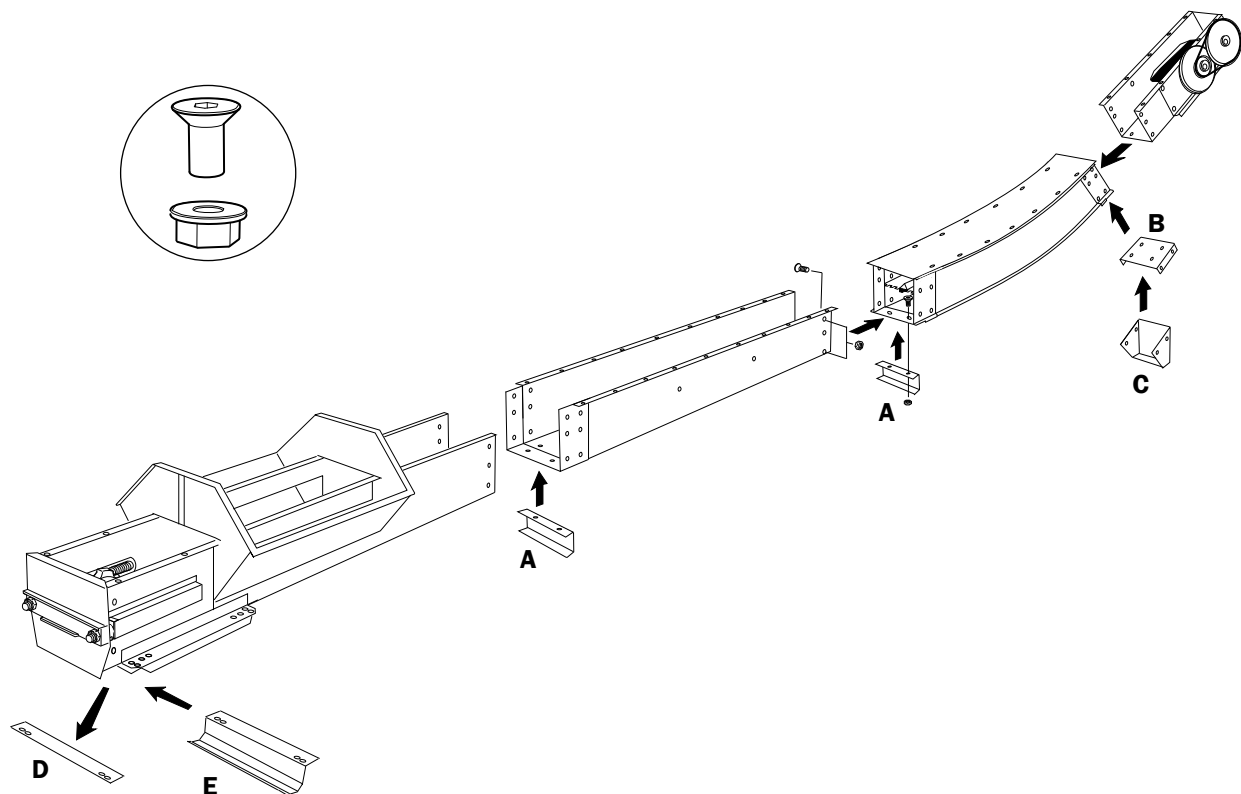
4. Remove the rear guide rail (D) for the tail end clean-out hatch and fit the support foot (E) in place of it.

5. Fit the side bolts.

NB! Use only the upper and lower holes.

⚠ IMPORTANT!

When assembling outdoors, the joints in the side plates, lid and inlet must be sealed with silicone.



6.
Assemble the lengths of chain into one long conveyor chain.

⚠ IMPORTANT!

Distribute any lengths of brush flight/bucket flight evenly along the conveyor chain.

7.
Fit the conveyor chain in place in the bottom of the conveyor.

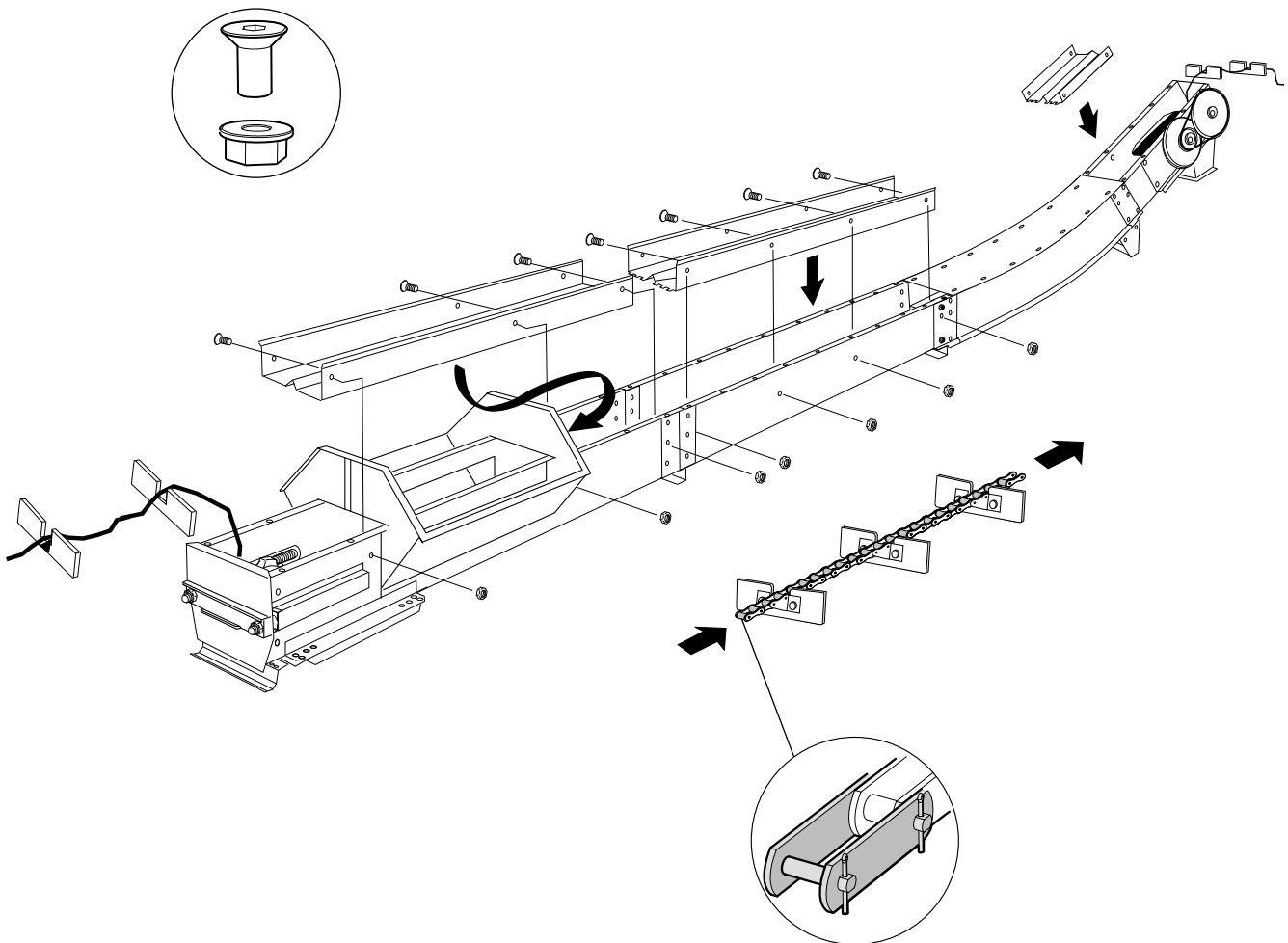
NB! The chain brackets "push" the flights against the drive.

NB! Use a rope to pull the chain through the bend.

8.
Fit the intermediate trays from the bend and outwards.

⚠ IMPORTANT!

Fit the finger joints together correctly.



9.

Lay the rest of the conveyor chain on the upper level.

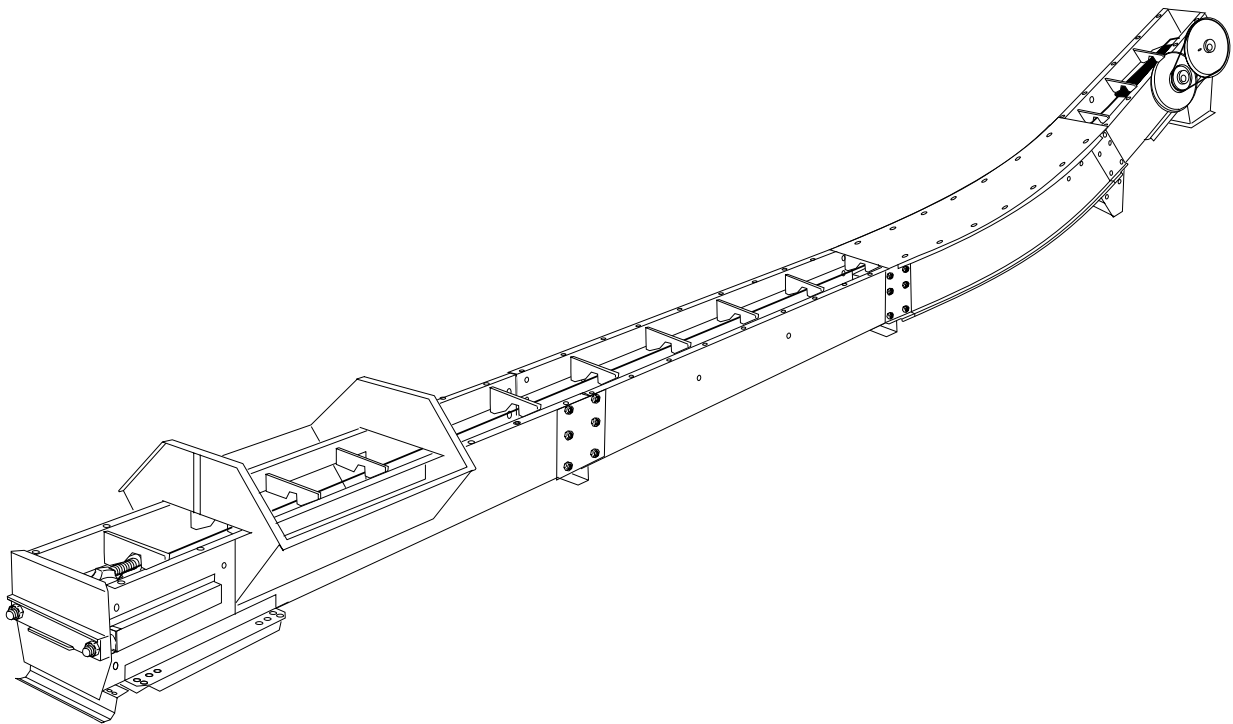
10.

Slide the tail end shaft to forward position, towards the drive.

Position the conveyor chain over the tail end's chain sprocket. Shorten it if necessary to the correct length and then assemble it.

⚠ IMPORTANT!

Ensure the conveyor chain is centred, runs freely and does not foul the sides of the conveyor.



11.

Tighten the conveyor chain with the tensioning bolts in the tail end.

NB! The tensioning bolts have self-locking fixed nuts inside the conveyor.

⚠ IMPORTANT!

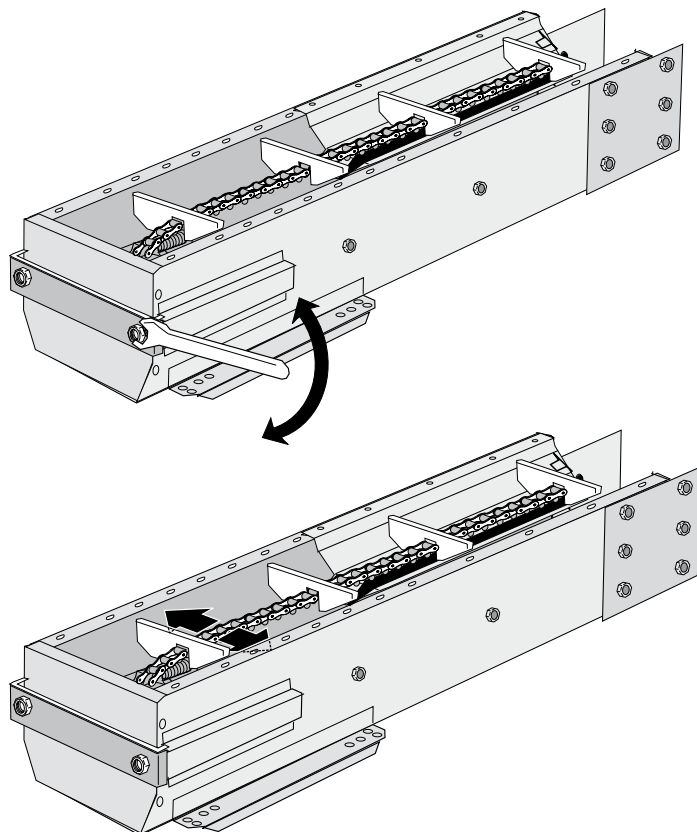
- Ensure the tail end shaft is at right angles to the conveyor chain.
- Ensure the conveyor chain is not tensioned too much. The conveyor chain is too taut if it cannot be pulled sideways at the tail end shaft. Release the tension until it can be pulled slightly sideways.

Once assembly of the conveyor is complete, test run it for a while and then check the tension once again.

A new conveyor chain must be run for a period and then readjusted.

⚠ IMPORTANT!

Check the conveyor chain after 50 operating hours. See separate maintenance instructions for information on maintenance.



NB! Fit inlet/outlet with existing bolts.

12.

Mark up and cut holes for connecting to the side inlet lid plate.

⚠ IMPORTANT!

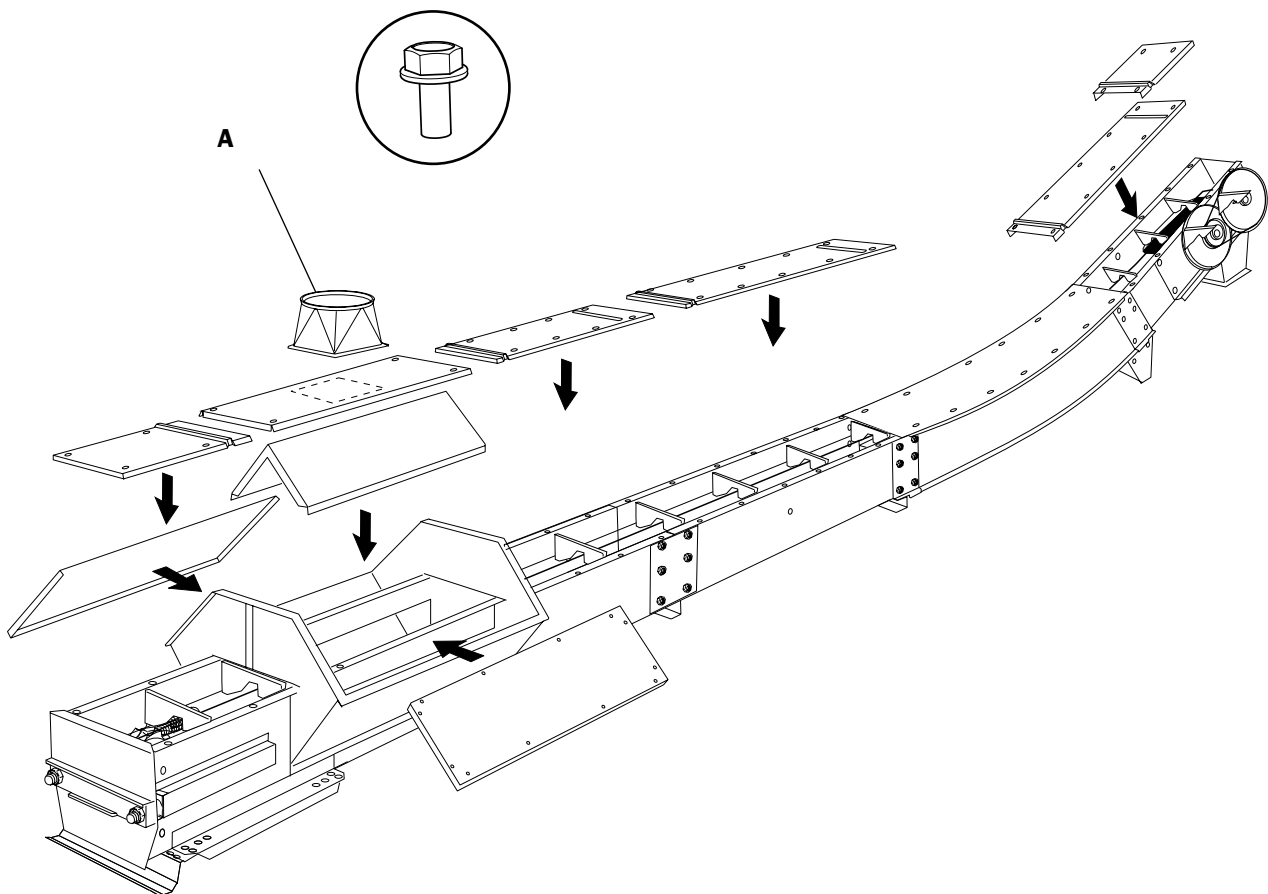
Centre the connection hole on the lid plate of the side inlet if possible. Fit the connecting transition piece (A).

13.

Stagger the lids when fitting.

⚠ IMPORTANT!

- Fit rubber mouldings in the joint grooves.
- When assembling outdoors, the joints in the side plates, lid and inlet must be sealed with silicone.



14.

⚠ WARNING!

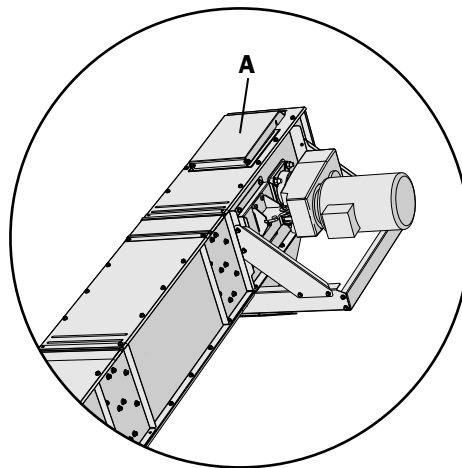
The rotating drive shaft is partially exposed between the gearbox motor and the machine if the weather cover is not used on machines with gearbox motors.

15.

Pop up overloading flap (A) with safety switch is an optional accessory that stops the conveyor if it is overloaded or when the pop up overloading flap is opened.

⚠ WARNING!

- Connections to, from and between machinery must be permanently mounted and fully enclosed. If the design of the installation does not allow this at an outlet, finish off with a 1 m pipe.
- All electrical equipment is to be connected by a qualified electrician. See separate connecting directions for electronics.



 **WARNING!**

- The motor must be installed by a qualified electrician.
- The power switch must be permanently mounted and located to allow easy access when carrying out maintenance work.
- Ensure the transmission guard is fitted during operation.

 **IMPORTANT!**

- Ensure the motor protection is set to the correct ampere setting for the motor.
- If the machine is being assembled outdoors, the motors and transmissions must be fitted with a weather cover.

1.
Assemble components (A-C) with the same bolt.

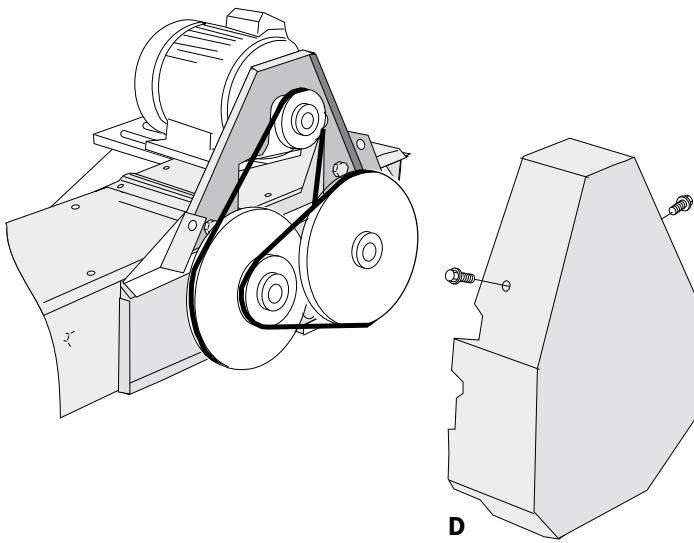
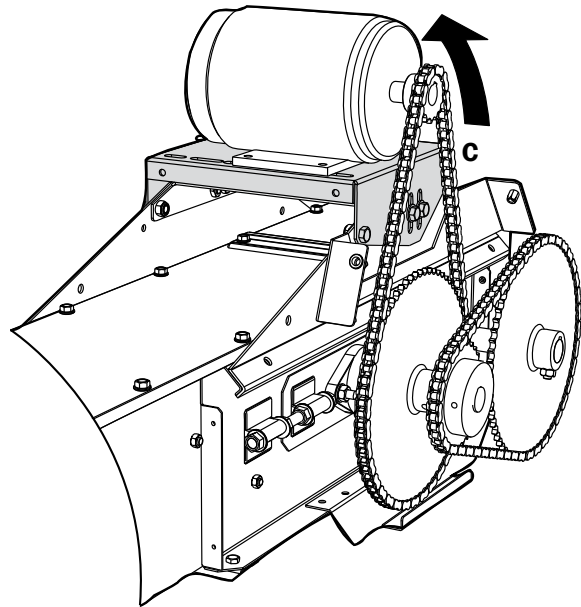
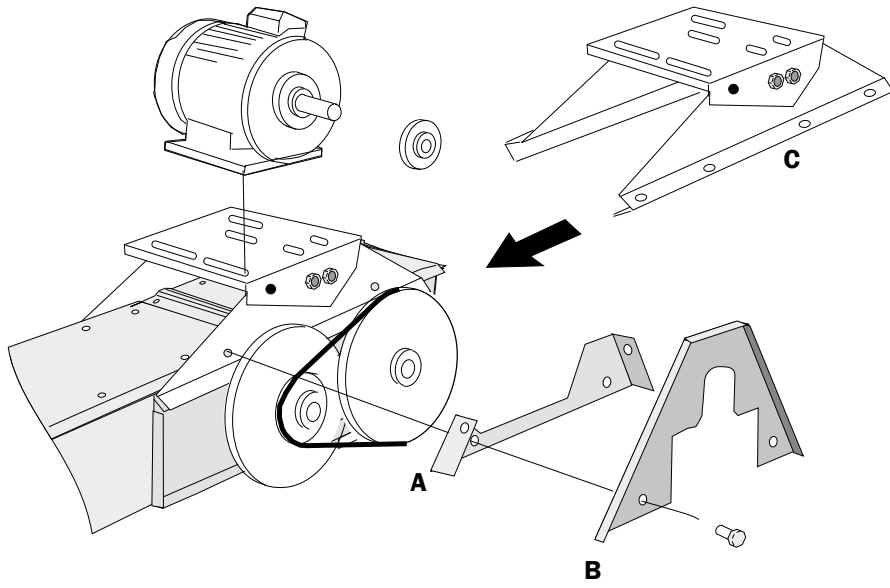
2.
Fit the motor and transmission chain.

3.
Tighten the motor bridge (C) by hand and secure it.

 **IMPORTANT!**

Adjust the tightness of the transmission chains continuously. For more information concerning the transmission chain, see separate maintenance instructions.

4.
The transmission guard (D) is hooked on at the bottom and fastened with two bolts at the top.





SKANDIA ELEVATOR AB

KEDUMSVÄGEN 14, ARENTORP
S-534 94 VARA, SWEDEN

PHONE +46 (0)512 79 70 00
FAX +46 (0)512 134 00

INFO@SKANDIA-ELEVATOR.SE
WWW.SKANDIA-ELEVATOR.SE